

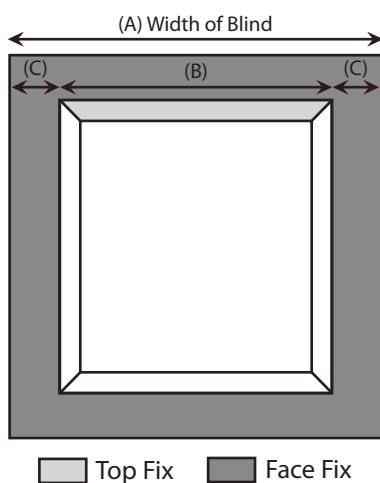
Step 1

Outside Recess

If the blind is to be fitted outside of the recess, ensure that measurement C is equal. Measurement C is simply measurement A minus measurement B divided by two. Follow the instructions for face fixing.

Inside Recess

If top fixing, fix to the lintel if the window frame is uPVC or if there are no obstructions. If face fixing fit the bracket to the window frame.



Step 2

Hold each bracket into place and mark the hole positions. Fit each bracket using the two screws provided.

Top Fixing

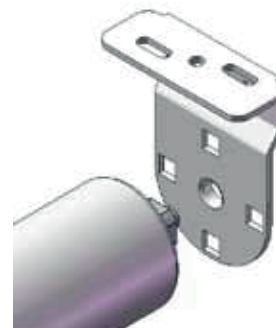


Face Fixing

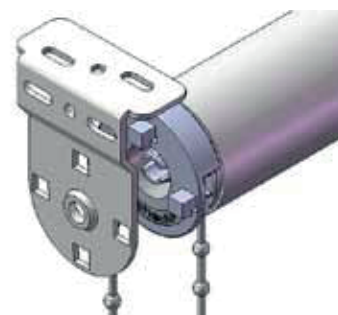


Step 3

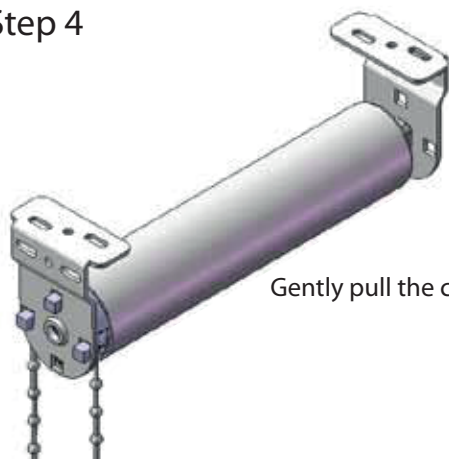
Holding the fully wound blind, insert the idle pin end into the bracket as shown.



With the idle pin end in place, insert the control end into the opposite bracket. Ensure that the blind has clicked into place using the centre lug.



Step 4



Gently pull the chain to raise and lower the blind.

These instructions are for guidance only. Kingston Blinds accepts no responsibility for any incorrect measurements provided.